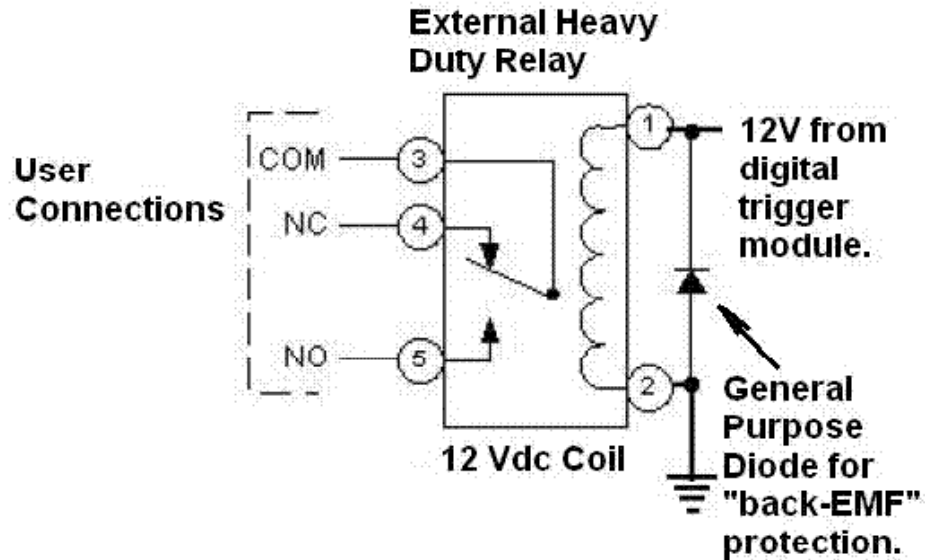




TECH SUPPORT

1. Using a general purpose diode to protect against relay 'back-EMF'.



2. Recommended intervals for battery replacement.

The schedule for replacing batteries in ESS equipment is based on battery capacity and the empirical performance of ESS products over 25 years.

Less than 3 Amp-hour capacity batteries should be changed every 2 years.

3 Amp-hour to 15 Amp-hour capacity batteries should be changed every 3 years.

Batteries greater than 15 Amp-hours in capacity should be changed every 3 to 5 years depending upon the application. Generally, solenoid or low-power draw applications every 5 years and motor use applications every 3 years.